

CLASS VIII SAMPLE PAPER SCIENCE

(CHAPTER-1 TO CHAPTER – 8)

TIME – 2 HRS 30 Minutes

MM - 80.

NOTE -

- All questions are compulsory .
- This paper comprises of 30 questions. However, choices have been mentioned in the questions.
- Answers must be given as per the marks stated for the question .

(1 TO 7 = 7 Marks)

1. Name the vitamins found in fish liver oil?
2. Name any one bacteria which causes food poisoning?
3. Name the first man made fibres and also its composition?
4. Name the most ductile & malleable metal?
5. Write the formula for butane?

OR

6. Give the composition of coal gas?
7. Burning of white phosphorus is an ex. Of which combustion?
8. Red data book is a book of extinct species .(true/false)

OR

9. What is the size of neuron?

(10 & 11 = 2.5 Marks Each)

10. Fill in the blanks :-

- a) _____ is the substance responsible for the different color in plants.
- b) Combine is used for _____.
- c) *Aspergillus* is an example of _____ & *Euglena* is an example of _____.
- d) _____ is used to separate crude petroleum oil.
- e) Blue flame is a _____ & _____ zone.

11. STATE TRUE OR FALSE:-

- a. 4d is a kind of fertilizer.
- b. Robert Koch is a discoverer of *Clostridium Botulinum*.
- c. H_2SO_4 is a chemical formula for Hydrogen Sulphide.
- d. Rein deer is an extinct species .
- e. Nucleolus is a dead cell of nucleus .

(12 to 19 =3 marks each ; question no. 15 and 16 are combined.)

12. Name the processes involved in crop production . Write about each .
13. Write about discovery of penicillin and vaccine for small pox ?
14. What are the 3rs of saving the earth from pollution ?
15. What happens when metals react with dilute acids ? Write the equation .
16. Describe the various products of crude petroleum oil .

OR

17. State the ways in which we can conserve the fuels?
18. Write about combustion and state its types?
19. State the ways in which we can conserve the wildlife and nature ?
20. Explain the cell organelles .

(20 TO 24 = 2 Marks Each)

21. Write about each segment of crop production.
22. Write about nitrogen fixation and fermentation.
23. Define thermoplastic and thermosetting plastic and also state their linking.
24. What is displacement reaction ? Explain it with the help of an example .
25. Define multicellular and unicellular organisms with atleast two examples .

(26 OR 27 = 6 Marks)

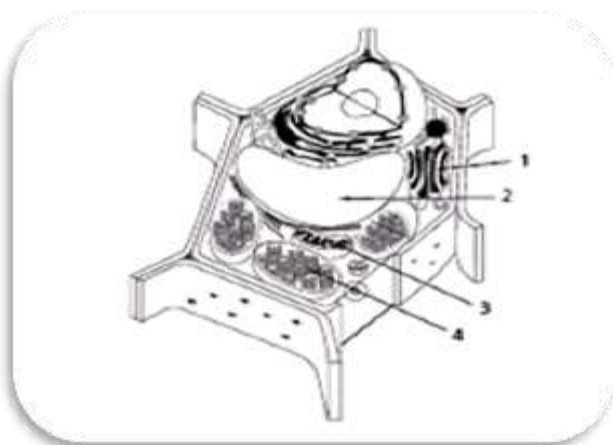
26. Write a brief description of physical and chemical properties of metals and non metals.

OR

27. Write a note on cell : the fundamental and functional unit of life. Explaining its discovery and cell theory.

(28 TO 29 = 8 Marks Each.)

28. Write the name of the parts of the cell :-



- i. What kind of cell is it ?
- ii. Name the part of the cell labeled with 1 .

OR

- iii. Name the part labeled with 2 .
- iv. Name the part labeled with 3 .
- v. Name the part labeled with 4 .
- vi. What makes it different from other cells ?
- vii. Write a short note on this kind of cell .

29. Write a short notes on (any 4):

- i. Virus
- ii. Bacteria
- iii. Fungi
- iv. Algae
- v. Protozoa

- vi. Harvesting
- vii. Weeding
- viii. PET

(30= 5 Marks)

30. Draw a well labelled diagram (any 1)

- i. animal cell
- ii. nitrogen cycle

(31 = 10 MARKS)

31. Write about deforestation and its consequences.

OR

Explain the major factors affecting outcome of production.

OR

Explain all major parts of the cell.

OR

Write a note on '*nylon*'.
